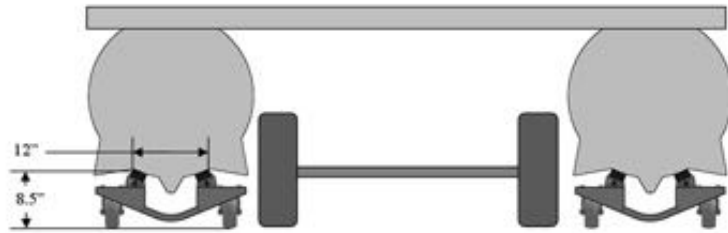
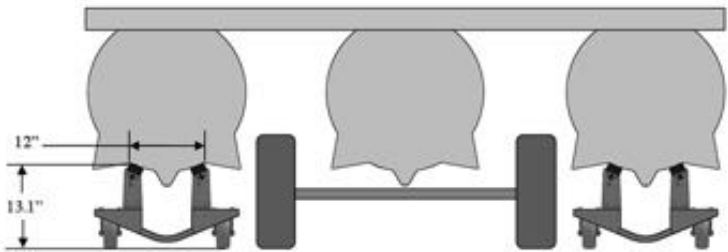


Tall pad configuration to allow for unloading tritoons from a trailer.

ME-350 HEIGHT ADJUSTMENT SETTINGS
TRAILER AXLE DIAGRAM



LOW PAD CONFIGURATION: FOR PONTOONS



HIGH PAD CONFIGURATION: FOR TRITOONS



Tag us on Instagram!
[@sternmastermarinetools](https://www.instagram.com/sternmastermarinetools)



Follow us on Facebook!
[Facebook.com/SternmasterMarineTools](https://www.facebook.com/SternmasterMarineTools)

CustomerService@Sternmaster.net

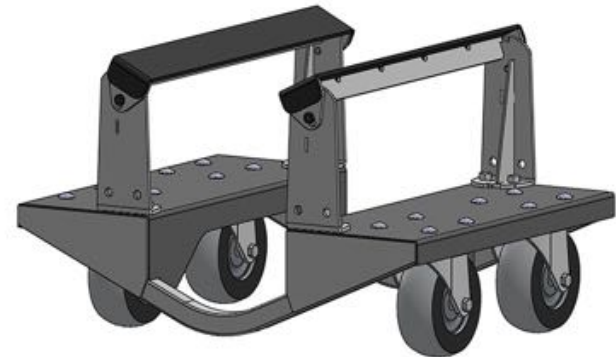
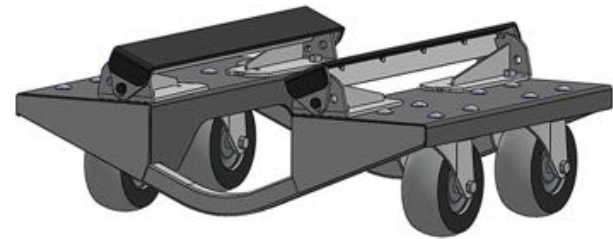
1-800-305-8117

www.SternmasterMarine.com

[Facebook.com/SternmasterMarineTools](https://www.facebook.com/SternmasterMarineTools)



PONTOON/TRITOON DOLLY



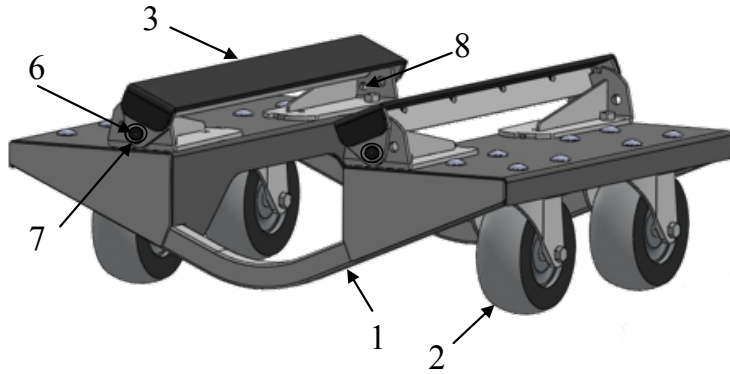
ME-350
PRODUCT MANUAL

CustomerService@Sternmaster.net

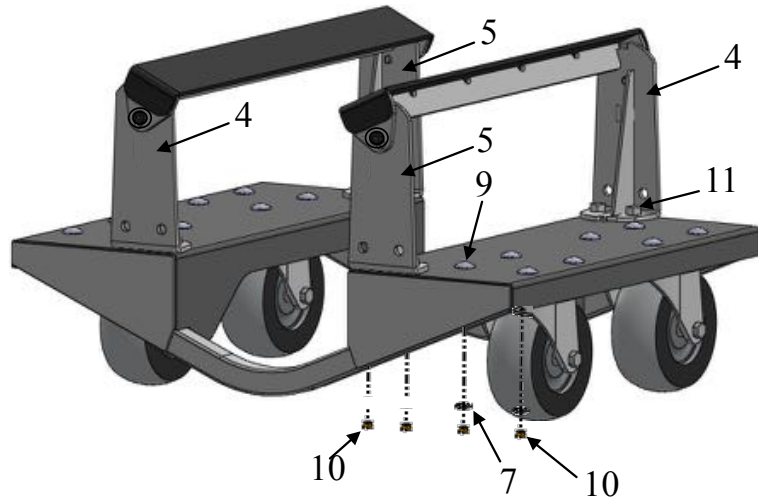
411 N Centennial St
Zeeland, MI 49464

SternmasterMarine.com
1-800-305-8117

SHORT PAD CONFIGURATION

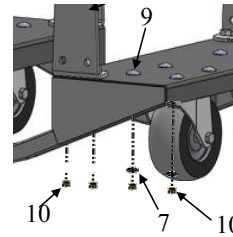


TALL PAD CONFIGURATION



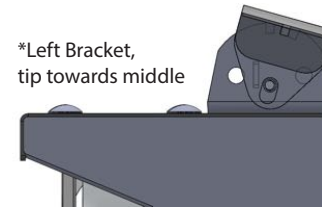
#	(Qty) Part Name	#	(Qty) Part Name
1	(1) Body	7	(20) 3/8" Flat Washer
2	(4) Swivel Casters	8	(4) 5/16" Lock Nut
3	(2) Pad	9	(16) 3/8" x 1" Bolt
4	(2) Left Bracket	10	(24) 3/8" Lock Nut
5	(2) Right Bracket	11	(8) 3/8" x 1 1/4" Bolt
6	(4) Shoulder Bolt	12	(2) Wheel Chock

ASSEMBLY INSTRUCTIONS ME-350 PONTOON/TRITON DOLLY

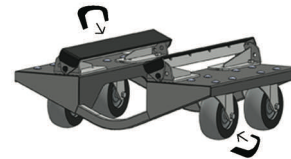


3/8" x 1" Carriage Bolts, Washers, Lock Nuts

-Attach casters to the legs, the plate will only fit in one direction

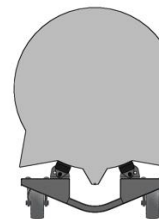


The height adjustment brackets should be installed such that the pads will be tipped inward when engaged in the larger slots.



The wheel chocks are provided to prevent movement on hard floors. Storage is provided in through holes between the casters.

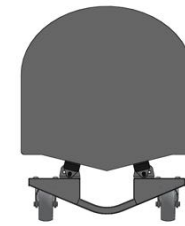
The ME-350 is designed to conform to round, elliptical, and v-bottom pontoons in the wide adjustment slot. The vertical slot is for flat pad positioning



Round



Elliptical



V-Bottom



Flat

Flip Over