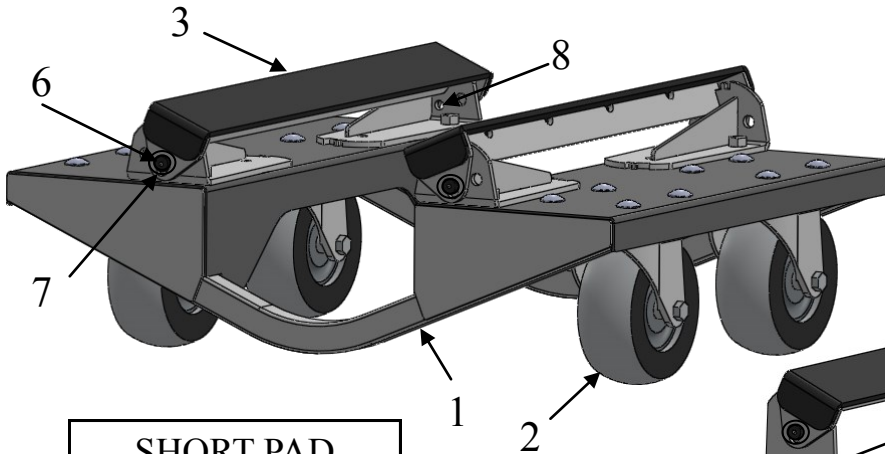


STERNMASTER

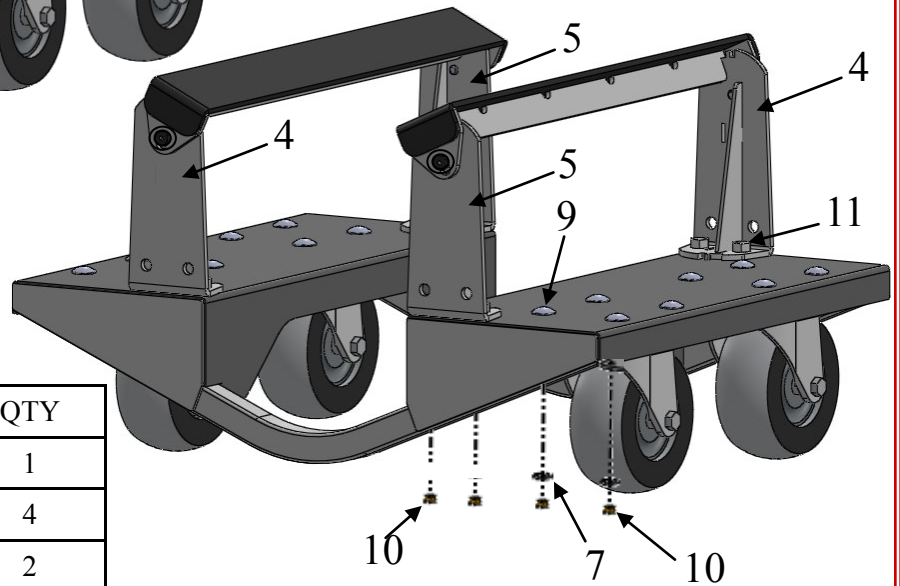
MarineTools

ME-350 ADJUSTABLE PONTOON DOLLY



SHORT PAD
CONFIGURATION

TALL PAD
CONFIGURATION
TO ALLOW FOR
UNLOADING TRITOONS
FROM A TRAILER.



THE HEIGHT ADJUSTMENT
BRACKETS SHOULD BE
INSTALLED SUCH THAT THE
PADS WILL BE TIPPED
INWARD WHEN ENGAGED IN
THE LARGER SLOTS.

ITEM #	PART NAME	QTY
1	PONTOON DOLLY BODY	1
2	SWIVEL CASTER	4
3	PONTOON DOLLY PAD	2
4	HEIGHT ADJ BRACKET LEFT	2
5	HEIGHT ADJ BRACKET RIGHT	2
6	SHOULDER BOLT	4
7	3/8" FLAT WASHER	20
8	5/16" LOCK NUT	4
9	3/8"-16 X 1" CARRIAGE BOLT	16
10	3/8" LOCK NUT	24
11	3/8"-16 X 1.25" HEX BOLT	8

THE STERNMASTER ME-350 IS DESIGNED TO CONFORM TO ROUND, ELLIPTICAL AND V-BOTTOM PONTOONS IN THE WIDE ADJUSTMENT SLOT. THE VERTICAL SLOT IS FOR FLAT PAD POSITIONING.