 Tag us on Instagram!  
[@sternmastermarinetools](https://www.instagram.com/sternmastermarinetools)

 Follow us on Facebook!  
[Facebook.com/SternmasterMarineTools](https://www.facebook.com/SternmasterMarineTools)



[CustomerService@Sternmaster.net](mailto:CustomerService@Sternmaster.net)

1-800-305-8117

[www.SternmasterMarine.com](http://www.SternmasterMarine.com)

[Facebook.com/SternmasterMarineTools](https://www.facebook.com/SternmasterMarineTools)

**STERNMASTER**  
MarineTools™ 

---

## OUTBOARD STORAGE RACK



# ME-150 PRODUCT MANUAL

---

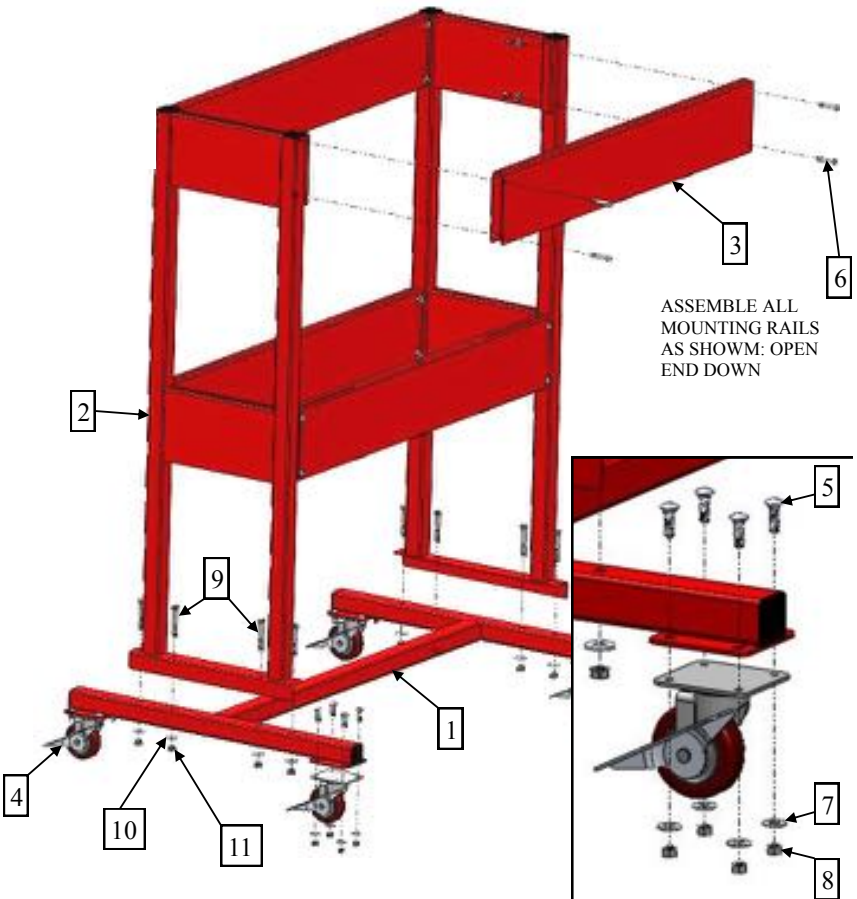
[CustomerService@Sternmaster.net](mailto:CustomerService@Sternmaster.net)

411 N Centennial St  
Zeeland, MI 49464

[SternmasterMarine.com](http://SternmasterMarine.com)  
1-800-305-8117

# ASSEMBLY INSTRUCTIONS

## ME-150 OUTBOARD STORAGE RACK



3/8" x 1" Carriage Bolts, Washers, Lock Nuts

-Attach casters to the leg base, the plate will only fit in one direction

1/2" x 3" Bolts, Washers, Lock Nuts

-Set Upright Supports on the Leg Base  
-Attach with the 1/2" x 3" hardware

3/8" x 2" Bolts, Washers, Lock Nuts

-Place the 4 Mounting Rails between the Upright Supports  
-Assemble them with the open end facing down

#	(Qty) Part Name	#	(Qty) Part Name
1	(1) Leg Base	7	(32) 3/8" Flat Washer
2	(2) Upright Support	8	(32) 3/8" Lock Nut
3	(4) Mounting Rail	9	(8) 1/2" x 3" Hex Head
4	(4) Locking Wheel	10	(8) 1/2" Flat Washer
5	(16) 3/8" x 1" Bolt	11	(8) 1/2" Lock Nut
6	(16) 3/8" x 2" Hex Head		