



Additional Information:

Tie Downs provided in the corners

Bolt holes for small outboards if needed

ASSEMBLY INSTRUCTIONS

ME-140LUSA LOWER UNIT SERVICE ACCESSORY

The ME-140LUSA hooks onto the bracket and is secured with a pin. If you order a bolt on bracket it will be placed at the curve of the legs as shown in the images below.



Tag us on Instagram!

@sternmastermarinetools



Follow us on Facebook!

Facebook.com/SternmasterMarineTools

CustomerService@Sternmaster.net

1-800-305-8117

www.SternmasterMarine.com

Facebook.com/SternmasterMarineTools



ALL TERRAIN OUTBOARD MOTOR DOLLY



ME-140AT PRODUCT MANUAL

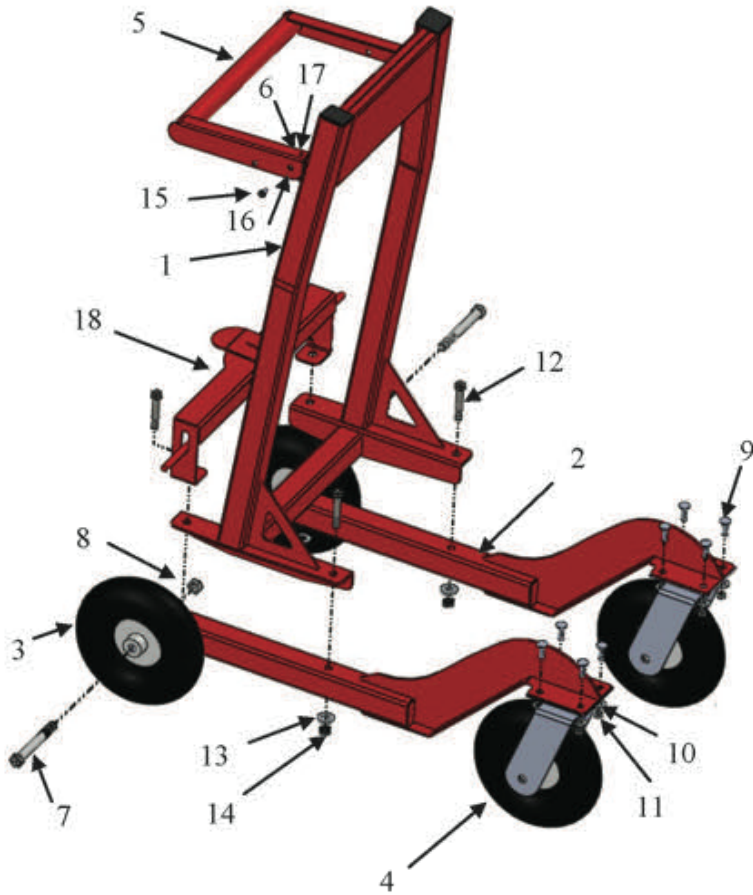
CustomerService@Sternmaster.net

411 N Centennial St
Zeeland, MI 49464

SternmasterMarine.com
1-800-305-8117

ASSEMBLY INSTRUCTIONS

ME-140AT ALL TERRAIN SMALL OUTBOARD MOTOR DOLLY



#	(Qty) Part Name	#	(Qty) Part Name
1	(1) Upright	10	(8) 3/8" Flat Washer
2	(2) Leg	11	(8) 3/8" Lock Nut
3	(2) Large Wheel	12	(4) 1/2"-13 x 3" Bolt
4	(2) Caster Wheel	13	(4) 1/2" Flat Washer
5	(2) 1/4" x 3/4" Bolt	14	(4) 1/2" Lock Nut
6	(2) 1/4" Lock Nut	15	(2) 3/8" x 3/4" Bolt
7	(2) 5/8" x 5 1/2" Bolt	16	(2) 3/8" Lock Nut
8	(2) 5/8" Lock Nut	17	(1) Brake
9	(8) 3/8" -16 x 1" Bolt	18	(1) Handle

	<p>3/8" x 1" Carriage Bolts, Washers, Lock Nuts</p> <p>-Attach casters to the legs, the plate will only fit in one direction</p>
	<p>5/8" x 5 1/2" Bolts and Lock Nuts</p> <p>-Attach each wheel to the outer side of the leg (legs oppose each other)</p> <p>-Tighten only until snug, or the wheel will not roll</p>
	<p>1/2" x 3 1/2" Bolts, Washers, Lock Nuts</p> <p>-Set Upright on Legs, handle facing large wheels</p> <p>-Brake tapered end faces out</p> <p>-Thread bolt through brake before setting it on the upright</p> <p>-Attach rear of upright</p>
	<p>1/4" x 3/4" Hex Bolts and Nuts 3/8" x 3/4" Hex Bolts and Nuts</p> <p>-Remove 1/4" hardware</p> <p>-Lift up handle and insert 1/4"</p> <p>-Tighten 1/4" and 3/8" hardware</p>

Flip Over