



Additional Information

Tie Downs provided in the corners


Bolt holes for small outboards if needed

ASSEMBLY INSTRUCTIONS

ME-140LUSA LOWER UNIT SERVICE ACCESSORY

The ME-140LUSA hooks onto the bracket and is secured with a pin. If you order a bolt on bracket it will be placed at the curve of the legs as shown in the images below.



 Tag us on Instagram!
[@sternmastermarinetools](https://www.instagram.com/sternmastermarinetools)

 Follow us on Facebook!
[Facebook.com/SternmasterMarineTools](https://www.facebook.com/SternmasterMarineTools)

CustomerService@Sternmaster.net

1-800-305-8117

www.SternmasterMarine.com

[Facebook.com/SternmasterMarineTools](https://www.facebook.com/SternmasterMarineTools)

STERNMASTER
MarineTools™ 

SMALL OUTBOARD MOTOR DOLLY



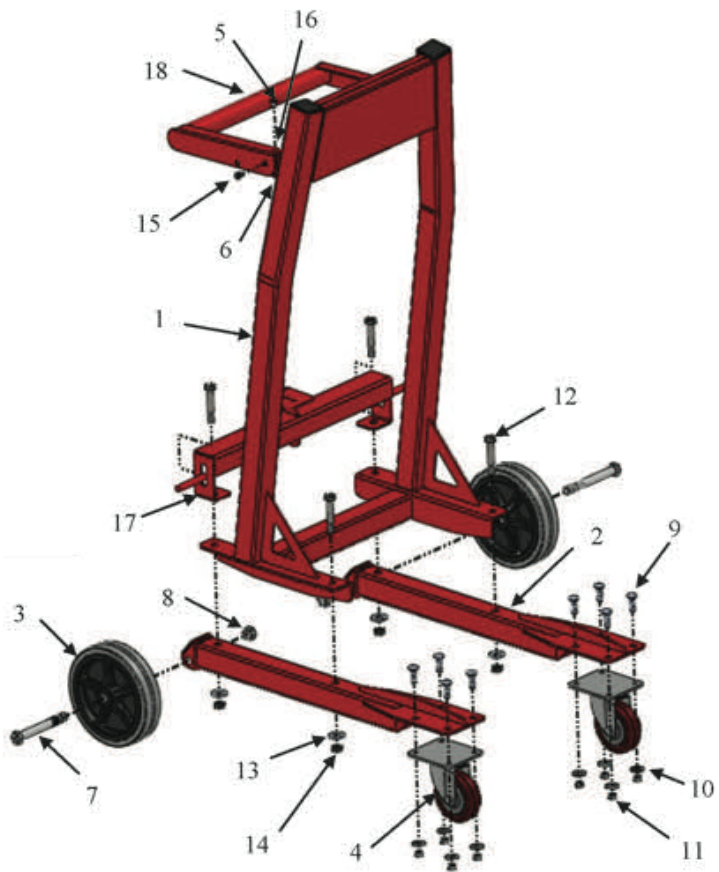
ME-140 PRODUCT MANUAL

CustomerService@Sternmaster.net

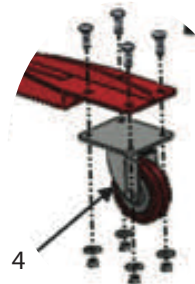
411 N Centennial St
Zeeland, MI 49464

SternmasterMarine.com
1-800-305-8117

ASSEMBLY INSTRUCTIONS ME-140 SMALL OUTBOARD MOTOR DOLLY

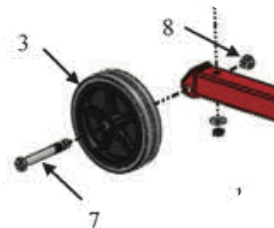


#	(Qty) Part Name	#	(Qty) Part Name
1	(1) Upright	10	(8) 3/8" Flat Washer
2	(2) Leg	11	(8) 3/8" Lock Nut
3	(2) Large Wheel	12	(4) 1/2" -13 x 3" Bolt
4	(2) Caster Wheel	13	(4) 1/2" Flat Washer
5	(2) 1/4" x 3/4" Bolt	14	(4) 1/2" Lock Nut
6	(2) 1/4" Lock Nut	15	(2) 3/8" x 3/4" Bolt
7	(2) 5/8" x 5 1/2" Bolt	16	(2) 3/8" Lock Nut
8	(2) 5/8" Lock Nut	17	(1) Brake
9	(8) 3/8" -16 x 1" Bolt	18	(1) Handle



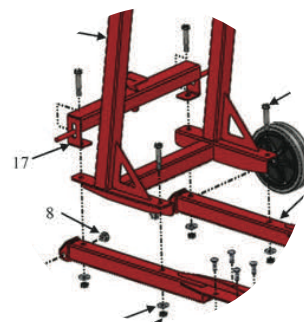
3/8" x 1" Carriage Bolts, Washers, Lock Nuts

-Attach casters to the legs, the plate will only fit in one direction



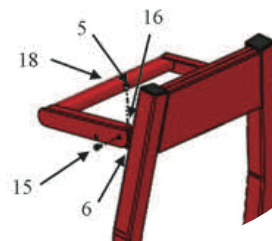
5/8" x 5 1/2" Bolts and Lock Nuts

-Attach each wheel to the outer side of the leg (legs oppose each other)
-Tighten only until snug, or the wheel will not roll



1/2" x 3 1/2" Bolts, Washers, Lock Nuts

-Set Upright on Legs, handle facing large wheels
-Brake tapered end faces out
-Thread bolt through brake before setting it on the upright
-Attach rear of upright



1/4" x 3/4" Hex Bolts and Nuts
3/8" x 3/4" Hex Bolts and Nuts

-Remove 1/4" hardware
-Lift up handle and insert 1/4"
-Tighten 1/4" and 3/8" hardware