

 Tag us on Instagram!
[@sternmastermarinetools](https://www.instagram.com/sternmastermarinetools)

 Follow us on Facebook!
[Facebook.com/SternmasterMarineTools](https://www.facebook.com/SternmasterMarineTools)



CustomerService@Sternmaster.net

1-800-305-8117

www.SternmasterMarine.com

[Facebook.com/SternmasterMarineTools](https://www.facebook.com/SternmasterMarineTools)

STERNMASTER
MarineTools™ 

NINE OUTDRIVE STORAGE UNIT



ME-114 & ME-114EXT PRODUCT MANUAL

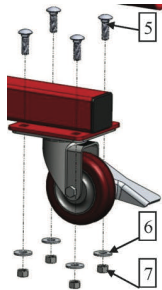
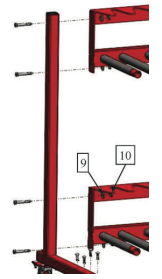
CustomerService@Sternmaster.net

411 N Centennial St
Zeeland, MI 49464

SternmasterMarine.com
1-800-305-8117

ASSEMBLY INSTRUCTIONS

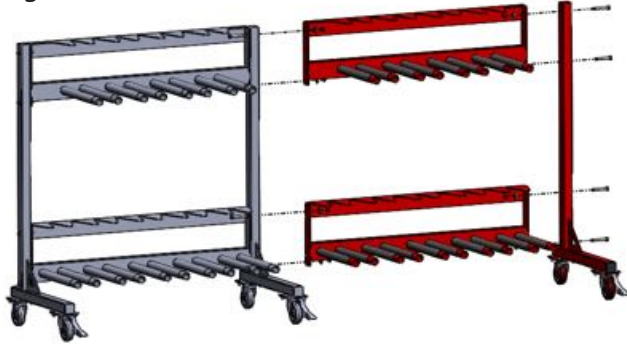
ME-114 NINE OUTDRIVE STORAGE UNIT

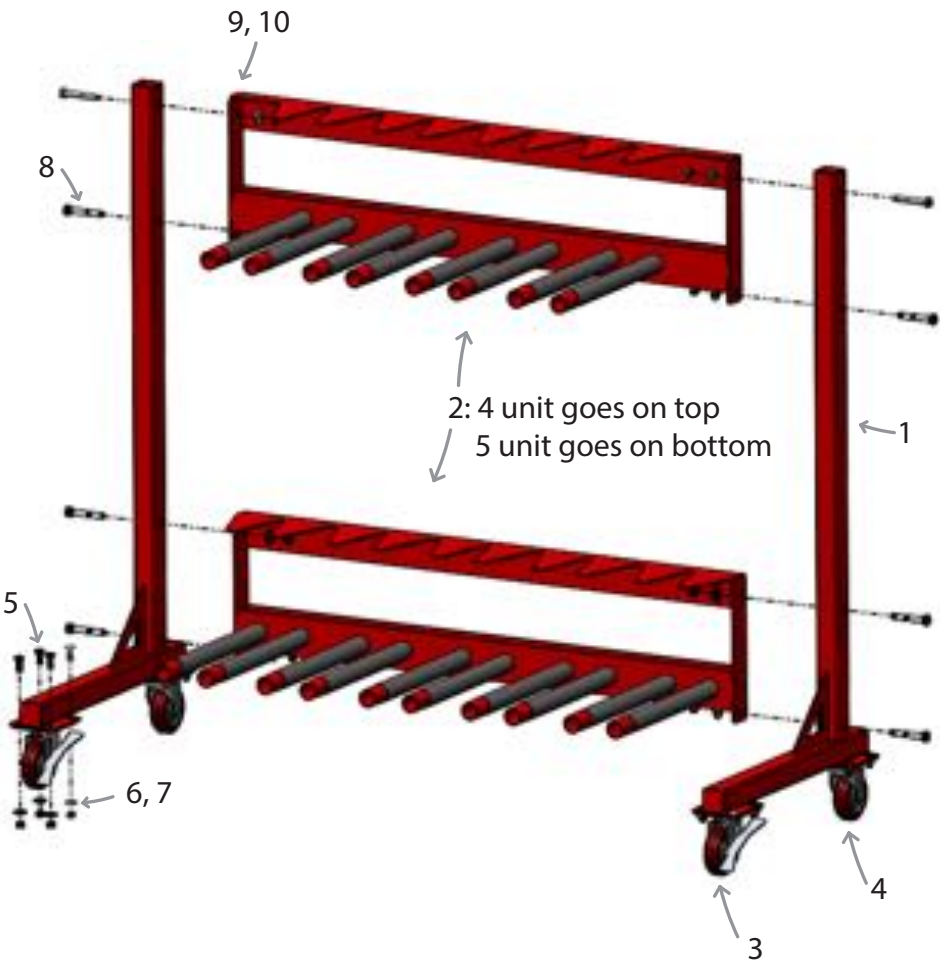
	<p>3/8" x 1" Carriage Bolts, Washers, Lock Nuts</p> <ul style="list-style-type: none"> -Attach casters to the legs, the plate will only fit in one direction -We recommend the locking casters are placed on the front of the leg.
	<p>1/2" x 3" Bolts, Washers, Lock Nuts</p> <ul style="list-style-type: none"> -Attach both Sterndrive Racks to one leg using the 3" long hardware. -Attach the second leg to the Sterndrive Racks.

ASSEMBLY INSTRUCTIONS

ME-114EXT NINE OUTDRIVE STORAGE UNIT EXTENTION

Assemble the ME-114EXT as shown above. Instead of attaching a second leg, you will attach onto an ME-114 as shown using the included 1/2" x 3 1/2" hardware.





#	(Qty) Part Name	#	(Qty) Part Name
1	(2) Upright Leg	6	(16) 3/8" Flat Washer
2	(2) Sterndrive Rack	7	(16) 3/8" Lock Nut
3	(2) Locking Wheel	8	(8) 1/2" x 3" Bolt
4	(2) Non Locking Wheel	9	(8) 1/2" Lock Nut
5	(16) 3/8" x 1" Bolt	10	(4) 1/2" Flat Washer