

 Tag us on Instagram!
[@sternmastermarinetools](https://www.instagram.com/sternmastermarinetools)

 Follow us on Facebook!
[Facebook.com/SternmasterMarineTools](https://www.facebook.com/SternmasterMarineTools)



MUD MOTOR STAND



ME-110MM PRODUCT MANUAL



CustomerService@Sternmaster.net

1-800-305-8117

www.SternmasterMarine.com

[Facebook.com/SternmasterMarineTools](https://www.facebook.com/SternmasterMarineTools)

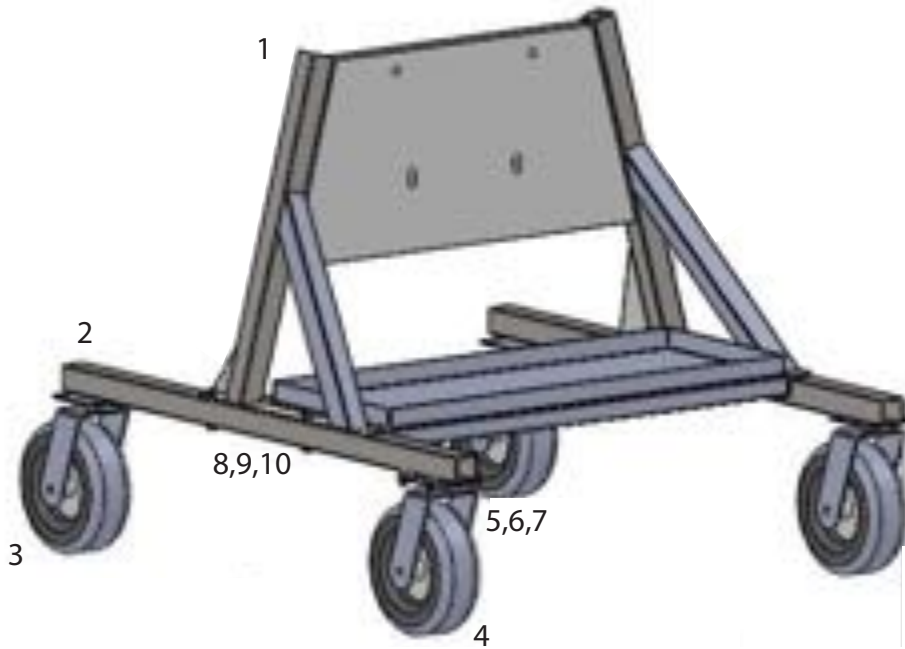
CustomerService@Sternmaster.net

411 N Centennial St
Zeeland, MI 49464

SternmasterMarine.com
1-800-305-8117

ASSEMBLY INSTRUCTIONS ME-1 10MM MUD MOTOR STAND

* note images show a different product - same hardware application



	<p>3/8" x 1" Carriage Bolts, Washers, Lock Nuts</p> <p>-Attach casters to the legs, the plate will only fit in one direction/ Place the locking together on the front or back side as you prefer.</p>
	<p>1/2" x 3" Bolts, Washers, Lock Nuts</p> <p>-Set Upright on Legs, the slight angle will bend towards the longer leg side -Attach with the 3" hardware</p>

#	(Qty) Part Name	#	(Qty) Part Name
1	(1) Upright	6	(16) 3/8" Flat Washer
2	(2) Leg	7	(16) 3/8" Lock Nut
3	(2) Swivel Casters	8	(4) 1/2" -13 x 3" Bolt
4	(2) Locking Casters	9	(4) 1/2" Flat Washer
5	(16) 3/8" -16 x 1" Bolt	10	(4) 1/2" Lock Nut