

 Tag us on Instagram!  
[@sternmastermarinetools](https://www.instagram.com/sternmastermarinetools)

 Follow us on Facebook!  
[Facebook.com/SternmasterMarineTools](https://www.facebook.com/SternmasterMarineTools)



---

## HIGH CAPACITY LARGE OUTBOARD DISPLAY STAND



# ME-1 10HC DISPLAY PRODUCT MANUAL

---

[CustomerService@Sternmaster.net](mailto:CustomerService@Sternmaster.net)

1-800-305-8117

[www.SternmasterMarine.com](http://www.SternmasterMarine.com)

[Facebook.com/SternmasterMarineTools](https://www.facebook.com/SternmasterMarineTools)

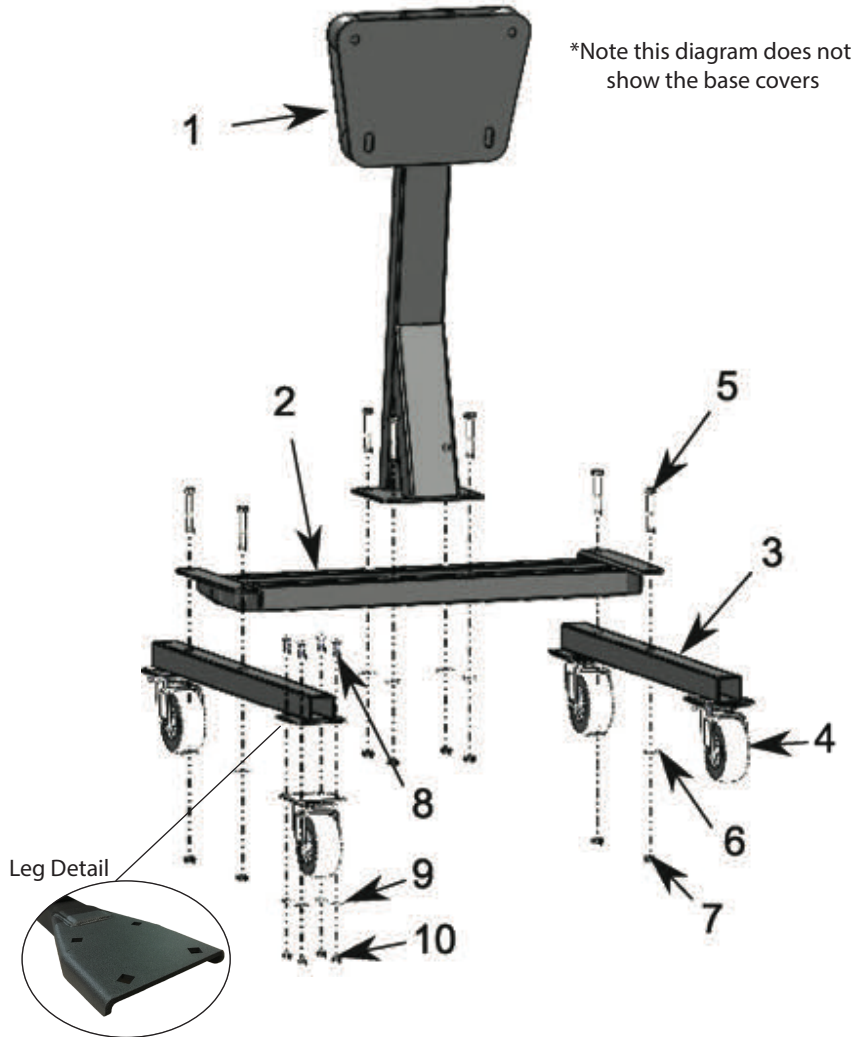
[CustomerService@Sternmaster.net](mailto:CustomerService@Sternmaster.net)

411 N Centennial St  
Zeeland, MI 49464

[SternmasterMarine.com](http://SternmasterMarine.com)  
1-800-305-8117

# ASSEMBLY INSTRUCTIONS

## HIGH CAPACITY OUTBOARD DISPLAY STAND



#	(Qty) Part Name	#	(Qty) Part Name
1	(1) Upright	7	(8) 1/2" x 3" Bolt
2	(1) Crossmember	8	(8) 1/2" Flat Washer
3	(2) Leg	9	(8) 1/2" Lock Nut
4	(2) 1Left/1Right Cover	10	(16) 3/8" x 1" Bolt
5	(2) Small Screws	11	(16) 3/8" Flat Washer
6	(4) Locking Caster Wheel	12	(16) 3/8" Lock Nut

	<p>3/8" x 1" Carriage Bolts, Washers, Lock Nuts</p> <p>-Attach casters to the legs, the plate will only fit in one direction</p>
	<p>1/2" x 3" Bolts, Washers, Lock Nuts</p> <p>-Attach Crossmember to Legs</p>
	<p>1/2" x 3" Bolts, Washers, Lock Nuts</p> <p>-Set Upright on Crossmember, angle leans towards longer leg side</p> <p>-Attach with 1/2" hardware</p>
	<p><b>SPIN THE CASTER BRAKES INWARD</b></p> <p>-After the brakes are facing the middle, the 2 base covers can slide over the legs</p> <p>-Push the base covers together and secure with the small screws to ensure they do not separate</p> <p>Screw Placement</p>