



---

## LARGE OUTBOARD DISPLAY STAND



# ME-110 DISPLAY PRODUCT MANUAL

---



[CustomerService@Sternmaster.net](mailto:CustomerService@Sternmaster.net)

1-800-305-8117

[www.SternmasterMarine.com](http://www.SternmasterMarine.com)

[Facebook.com/SternmasterMarineTools](https://www.facebook.com/SternmasterMarineTools)

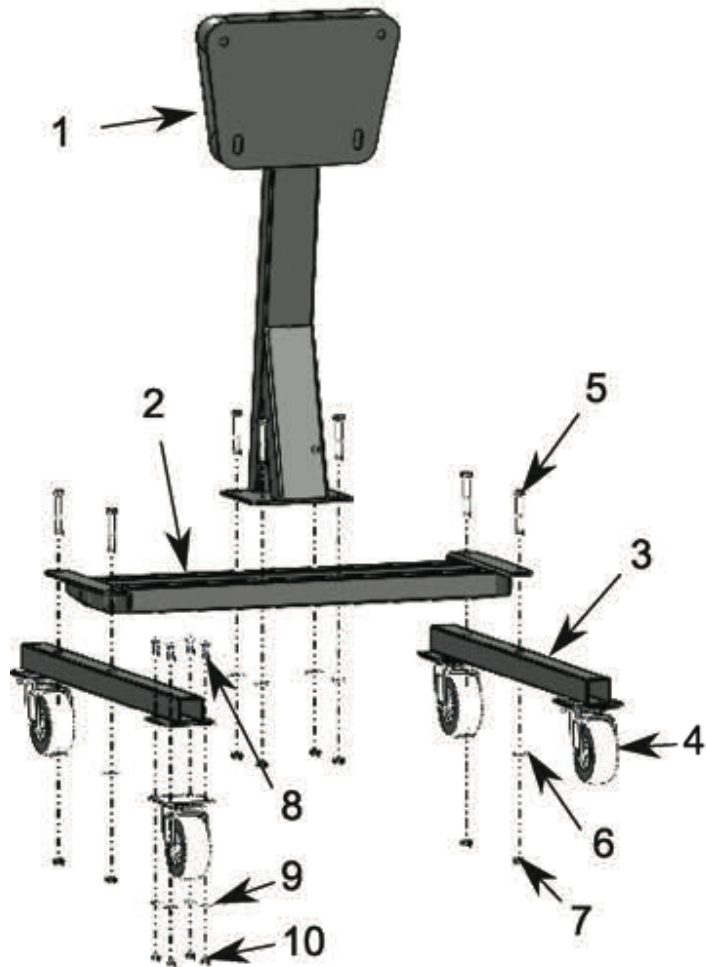
[CustomerService@Sternmaster.net](mailto:CustomerService@Sternmaster.net)

411 N Centennial St  
Zeeland, MI 49464

[SternmasterMarine.com](http://SternmasterMarine.com)  
1-800-305-8117

## ASSEMBLY INSTRUCTIONS

### ME-110D LARGE OUTBOARD DISPLAY



	<p>3/8" x 1" Carriage Bolts, Washers, Lock Nuts</p> <p>-Attach casters to the legs, the plate will only fit in one direction</p>
	<p>1/2" x 3 1/2" Bolts, Washers, Lock Nuts</p> <p>-Attach Crossmember to Legs</p> <p>-Short side of the legs head to the "front"</p> <p>Front of crossmember has 3" tab</p>
	<p>1/2" x 3 1/2" Bolts, Washers, Lock Nuts</p> <p>-Set Upright on Crossmember, angle leans towards longer leg side</p> <p>-Attach with 1/2" hardware</p>

#	(Qty) Part Name	#	(Qty) Part Name
1	(1) Upright	6	(8) 1/2" Flat Washer
2	(1) Crossmember	7	(8) 1/2" Lock Nut
3	(2) Leg	8	(16) 3/8" x 1" Bolt
4	4) Caster Wheel	9	(16) 3/8" Flat Washer
5	(8) 1/2" x 3" Bolt	10	(16) 3/8" Lock Nut


 Tag us on Instagram!  
 @sternmastermarinetools


 Follow us on Facebook!  
 Facebook.com/SternmasterMarineTools