

 Tag us on Instagram!  
@sternmastermarinetools

 Follow us on Facebook!  
Facebook.com/SternmasterMarineTools



---

## LARGE OUTBOARD SERVICE STAND



CustomerService@Sternmaster.net

1-800-305-8117

www.SternmasterMarine.com

Facebook.com/SternmasterMarineTools

# ME-110 & ME-110AT PRODUCT MANUAL

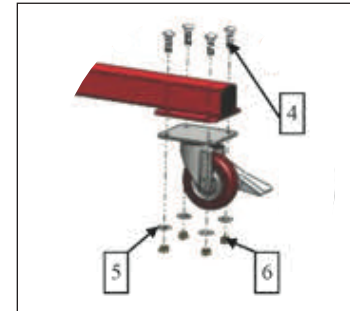
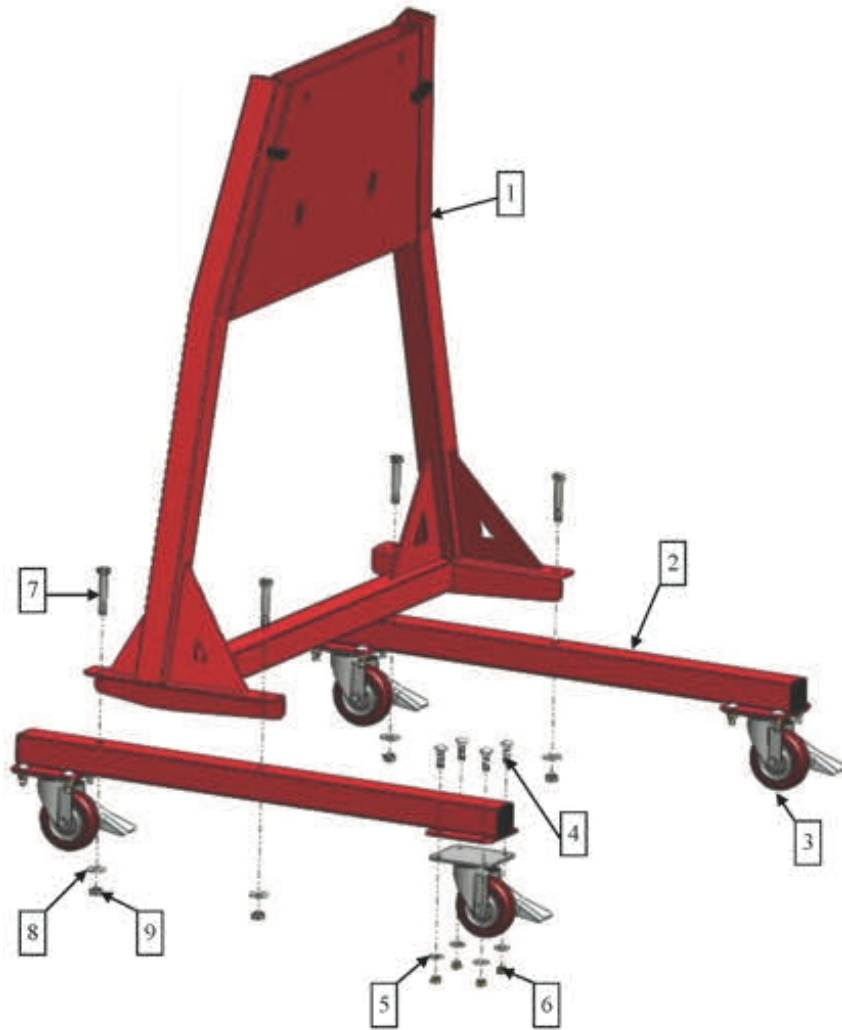
---

CustomerService@Sternmaster.net

411 N Centennial St  
Zeeland, MI 49464

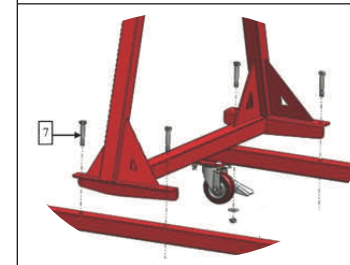
SternmasterMarine.com  
1-800-305-8117

## ASSEMBLY INSTRUCTIONS ME-110 LARGE OUTBOARD SERVICE STAND



3/8" x 1" Carriage Bolts, Washers, Lock Nuts

-Attach locking casters to the legs, the plate will only fit in one direction



1/2" x 3" Bolts, Washers, Lock Nuts

-Set Upright on Legs, the slight angle will bend towards the longer leg side  
-Attach with the 3" hardware

## ASSEMBLY INSTRUCTIONS ME-110AT ALL TERRAIN LARGE OUTBOARD SERVICE STAND



-Follow the same procedure to assemble the ME-110AT as shown above for the ME-110

-The only difference will be the all terrain casters, of which there are 2 locking and 2 non-locking.

#	(Qty) Part Name	#	(Qty) Part Name
1	(1) Upright	6	(16) 3/8" Lock Nut
2	(2) Leg	7	(4) 1/2" -13 x 3" Bolt
3	(4) Locking Caster	8	(4) 1/2" Flat Washer
4	(16) 3/8" -16 x 1" Bolt	9	(4) 1/2" Lock Nut
5	(16) 3/8" Flat Washer		