 Tag us on Instagram!  
[@sternmastermarinetools](https://www.instagram.com/sternmastermarinetools)

 Follow us on Facebook!  
[Facebook.com/SternmasterMarineTools](https://www.facebook.com/SternmasterMarineTools)



[CustomerService@Sternmaster.net](mailto:CustomerService@Sternmaster.net)

1-800-305-8117

[www.SternmasterMarine.com](http://www.SternmasterMarine.com)

[Facebook.com/SternmasterMarineTools](https://www.facebook.com/SternmasterMarineTools)



---

## THREE MOTOR DISPLAY STAND



# ME-106 PRODUCT MANUAL

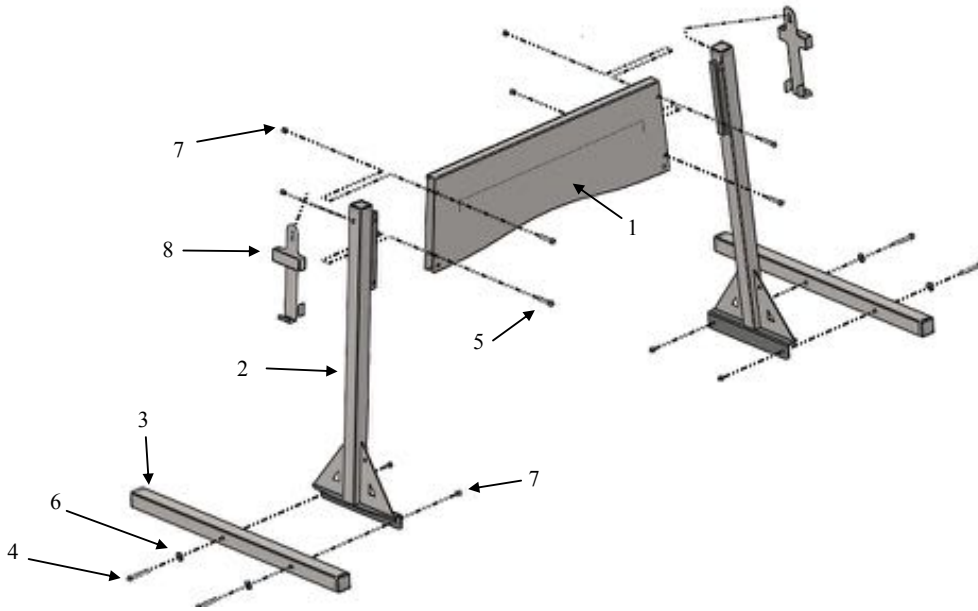
---

[CustomerService@Sternmaster.net](mailto:CustomerService@Sternmaster.net)

411 N Centennial St  
Zeeland, MI 49464

[SternmasterMarine.com](http://SternmasterMarine.com)  
1-800-305-8117

## ASSEMBLY INSTRUCTIONS ME-106 THREE MOTOR DISPLAY STAND



	<p><b>3/8" x 2" Bolts and Lock Nuts</b></p> <p>-Attach the legs to each end of the transom</p>
	<p><b>3/8" x 3" Bolts, Washers, Locknuts</b></p> <p>-Attach the stabilizers to the legs -The longer end should be to the side which the motors will hang on</p>
	<p><b>Pamphlet Holders</b></p> <p>-On each leg will be a rivet which is used to hang the pamphlet holders</p>

#	(Qty) Part Name	#	(Qty) Part Name
1	(1) Transom	5	(4) 3/8" x 2" Bolt
2	(2) Leg	6	(4) 3/8" Washer
3	(2) Stabilizer	7	(8) 3/8" Locknuts
4	(4) 3/8" x 3" Bolt	8	(2) Pamphlet Holder