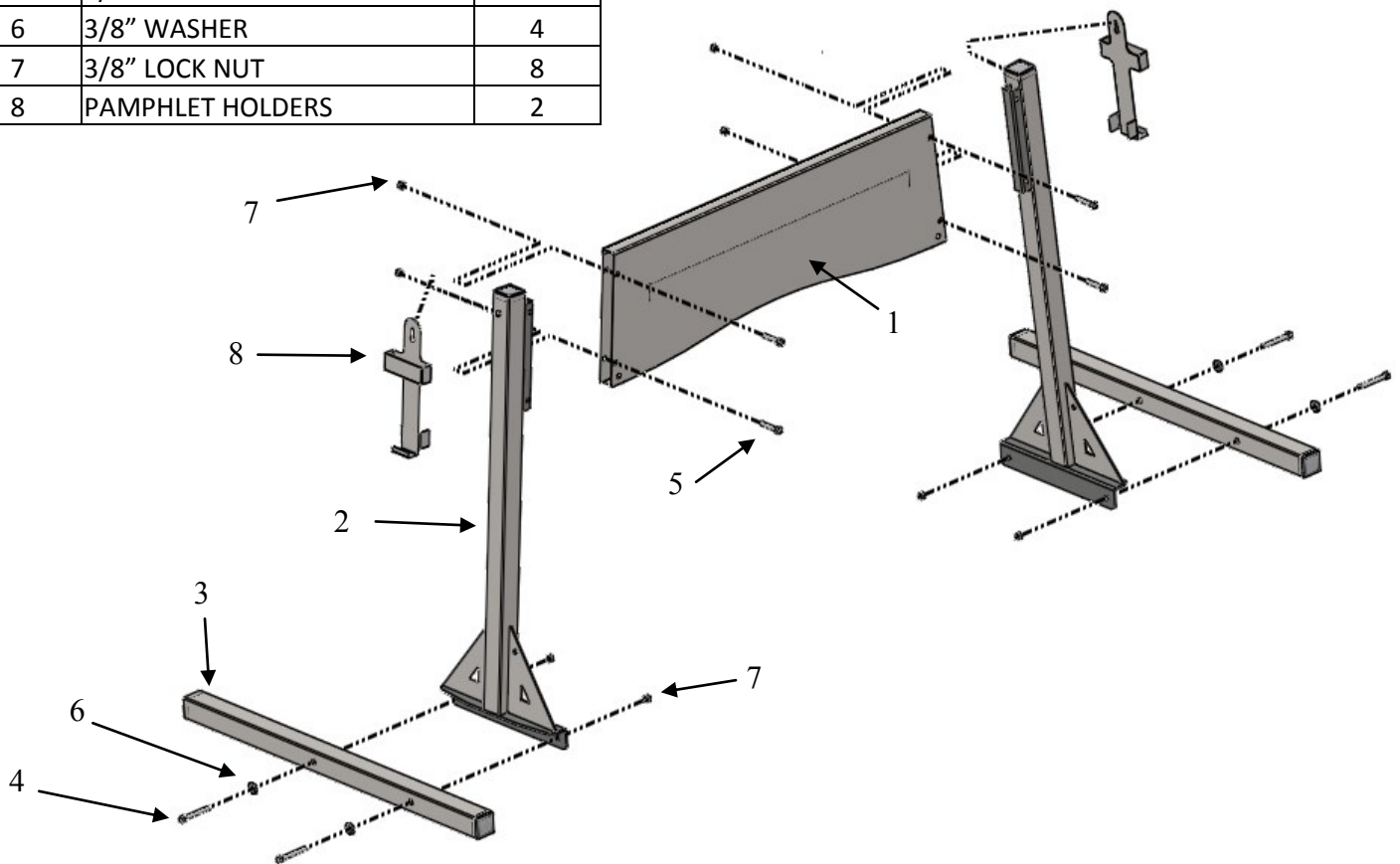


STERNMASTER

MarineTools

ME-106 3 MOTOR DISPLAY STAND

PART #	PART NAME	QTY.
1	TRANSOM	1
2	LEG	2
3	STABILIZER	2
4	3/8"-16 X 3" HEX HEAD BOLT	4
5	3/8"-16 X 2" HEX HEAD BOLT	4
6	3/8" WASHER	4
7	3/8" LOCK NUT	8
8	PAMPHLET HOLDERS	2



Assembly Instructions

The legs are mounted to each end of the transom portion of the stand, using 2" bolts and lock nuts. When the legs are tightened, the stabilizers will be attached to the legs, with the longer end on the side which the motors are to be hung, using the 3" bolts and lock nuts. The fasteners and the outboard mounting clamps need only be tightened until snug, don't over-tighten. On each leg there is a rivet which is used to hang the pamphlet holders.