



MULTI OUTBOARD MOTOR STAND



ME-105 PRODUCT MANUAL



CustomerService@Sternmaster.net

1-800-305-8117

www.SternmasterMarine.com

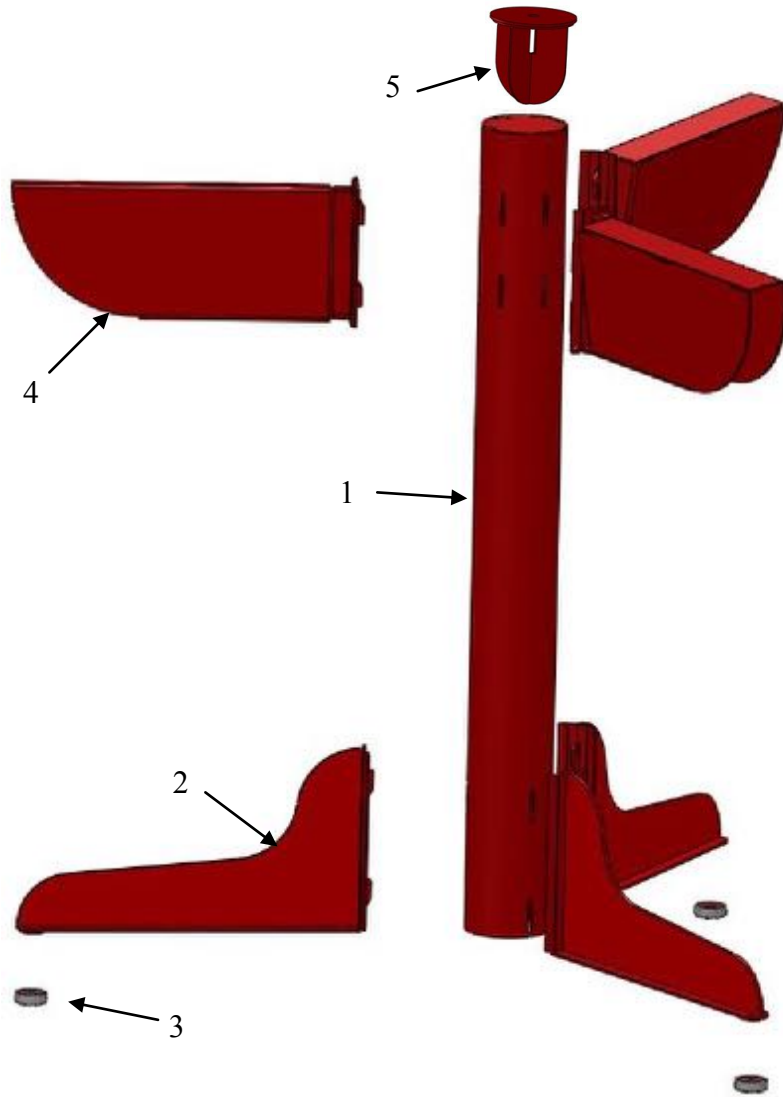
[Facebook.com/SternmasterMarineTools](https://www.facebook.com/SternmasterMarineTools)

CustomerService@Sternmaster.net

411 N Centennial St
Zeeland, MI 49464

SternmasterMarine.com
1-800-305-8117

ASSEMBLY INSTRUCTIONS ME-105 MULTI OUTBOARD MOTOR STAND



#	(Qty) Part Name	#	(Qty) Part Name
1	(1) 4" tube	10	(3) Outboard Brackets
2	(3) Stand Supports	11	(1) Tube Cap
3	(3) Floor Protectors		

	<p>4" Tube and Tube Cap</p> <ul style="list-style-type: none"> -Determine the top of the tube, which will have closer spaced slots than the bottom. -Place the cap in the top of the tube.
	<p>Stand Supports and Floor Protectors</p> <ul style="list-style-type: none"> -Stand the tube upside down and insert the stand supports into the corresponding slots. -Use a soft hammer or wooden mallet to fully seat them the supports -Attach the floor protectors to the supports
	<p>Engine Brackets</p> <ul style="list-style-type: none"> -Flip the stand right side up so it sits on the supports, check their stability. - Install the engine brackets in the same manner as the supports, seating them with a soft hammer/wooden mallet as needed.
<p>Additional Notes:</p> <ul style="list-style-type: none"> -The Tube Cap has a 1.2" clearance hole for signage, etc. 	