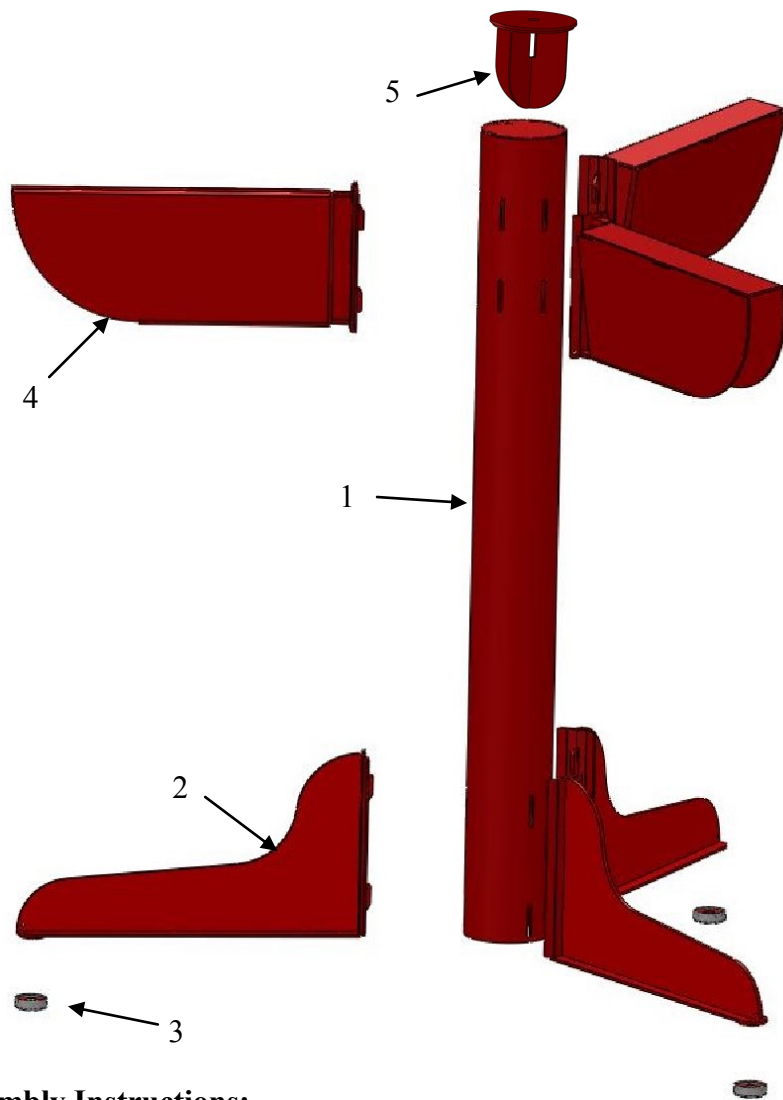


# STERNMASTER

MarineTools

## ME-105 Outboard Motor Display Stand



BILL OF MATERIALS		
PART #	NAME	QTY
1	4" TUBE	1
2	STAND SUPPORTS	3
3	FLOOR PROTECTORS	3
4	ENGINE BRACKETS	3
5	UNIVERSAL CAP	1

### Assembly Instructions:

1. Determine which end of the 4" Tube is the top and which end is the bottom. The top end of the tube will have closer spaced slots than the bottom end.
2. Stand up the Tube so that it is upside-down and insert the Stand Supports into the corresponding slots.
3. The tapered hooks of the Stand Supports will be seated using a soft hammer or wooden mallet.
4. Next the Floor Protectors will be installed on the Stand Supports.
5. Invert the unit and set it on the floor with the Stand Supports holding the unit upright.
6. Install the Engine Brackets in the same manner as the Stand Supports, seating as required.
7. The Universal Cap has a 1/2" clearance hole for signage, etc.